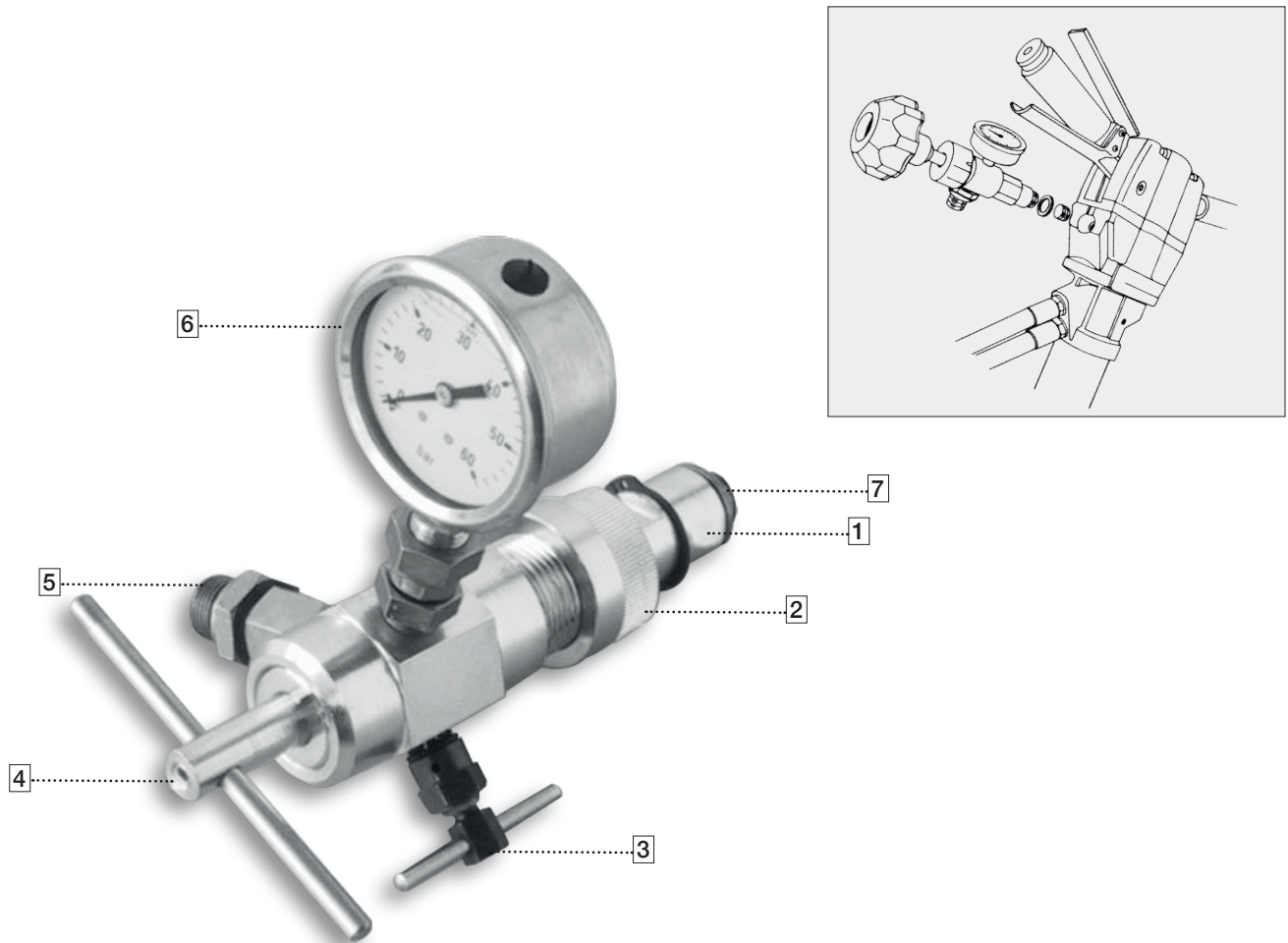


FLOW CONTROL VALVE

CT 100

For pressure and Flow

Service tool for control and charge nitrogen into DOA breakers accumulators



- 1 Adaptor the adaptor can be separated from the tester body
- 2 Ring nut of the adaptor
- 3 Valve for discharging the excess of pressure
- 4 Handle for opening closing the valve cap
- 5 Nitrogen inlet in the tester
- 6 Pressure gauge
- 7 Internal allen key that open/closes the valve cap acting on the handle

CT 100 tool is a service item necessary to make the service of DOA breakers, like all hydraulic breakers DOA hammers are equipped with a nitrogen accumulator that in case of failure has to be replaced and recharged with nitrogen at a pressure between 35-40 Bar. **CT100** allows to open up the check valve of the accumulator, to adjust the recharging nitrogen pressure and to close the check valve.