

PIPE MAINTENANCE

PC 49

Hydraulic emergency steel pipe compressing equipment



- *Power, and intervention speed, simple use*

- *Allows compression operations with the pipe flush to the wall*

- *Wide mouth aperture allows to engage pipes coated with tape protection*

- *Top quality foot pump assures easy operation without effort*

- *Operative longevity, no maintenance, tool is built in high tensile steel*

Tool designed for the emergency rapid compression of steel gas pipes damaged by car accidents or impacts on ascending pipes on walls and buildings. Operators know well the damages and dangers caused by vehicles that after accidents or wrong maneuvers against walls can tear off and cut the pipes, these damages require immediate emergency intervention to stop the gas leak and the imaginable risks. The high compression capacity gives maximum chocking, sometime till the total arrest of the pressurized leak. The retaining clamp (patented) can hold the tool in compressing positioning allowing the operator to stay at safe distance acting on pedal pump. The equipment is an hydraulic set composed of: pipe compressing tool pedal type, high pressure pump, 5 mt flexible high pressure hydraulic hose with swiveling action on the cylinder, retaining clamp metal box.

TECHNICAL CHARACTERISTICS	PC 49
Tool Weight (kg)	16
Weight complete set (kg)	42
Maximum steel pipe diameter	max Ø 65 mm - Thickness 3 mm
Mouth opening	67 mm
Hydraulic pump	pedal operated 700 Bar
Oil hose length	5 mt

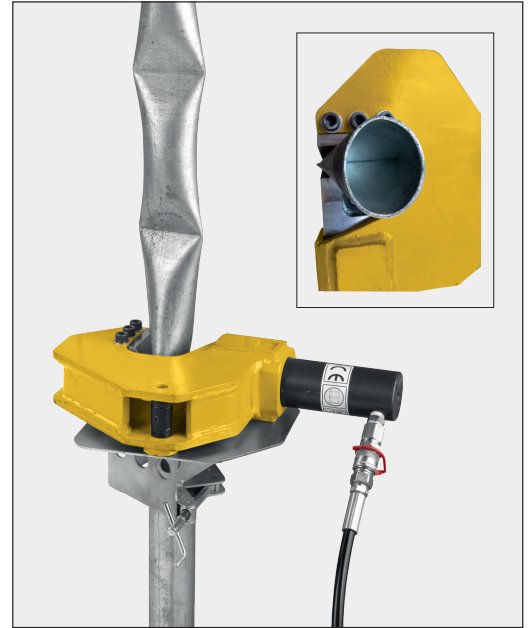
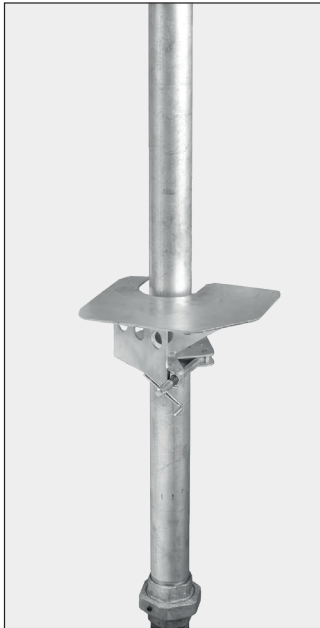


PIPE MAINTENANCE

PC 49

Hydraulic emergency steel pipe compressing equipment

The equipment is a synthesis of effectiveness, practicality and function, a high quality product designed for safety of the city and of the staff that cannot miss in the equipment of modernly equipped teams



Allows the operator to operate remote in a safe position

