

# POWER PACKS

## ASPID GETZ

Hydraulic power 12 L/min @ 140 Bar



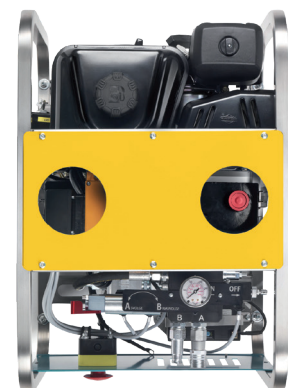
*The electronic remote control with the start/stop function of the combustion engine of the power pack with acceleration control of the engine revolutions is available on request and at a higher price.*

Hydraulic power pack designed to operate hydraulic equipment such as winches, capstans, rotary organs or double-acting cylinders that must be controlled remotely, the machine is equipped with a modern wireless remote control electronic system that, by means of a portable console, controls the hydraulic functions of the machine such as:

- **FOR HYDRAULIC MOTORS**  
the functions of clockwise/stop/anti clockwise rotation with speed control up to a distance of 80 meters from the control unit.
- **FOR HYDRAULIC CYLINDERS**  
the functions press/hold/retract with speed control up to a distance of 80 meters from the power pack.

In the event of a failure of the electronic remote control, the power pack allows normal use with manual control only hydraulic, can therefore be used with the same functions regardless of remote control, the pressure gauge indicates the load value allowing an accurate adjustment of the movements. The weight and the dimensions contained at the maximum guarantee excellent portability and mobility both on board the vehicles and on the ground. **ASPID GETZ** has an accurate build quality, is manufactured with the best materials and components to guarantee a long and trouble-free service.

TECHNICAL CHARACTERISTICS	ASPID GETZ
Weight (kg)	62
Dimension LxWxH (cm)	70x50x57
Flow L/min	12@140 Bar (together)
Pressure Bar	140 max@12 L/m
Engine	Briggs & Stratton 6HP - gasoline
Starter	recoil - electric
Acceleration	manual
Hoses Length std	10 mt - ø 3/8" - tread 3/8" BSP
Oil tank capacity	7 litres
Quick couplers	3/8" a flush face

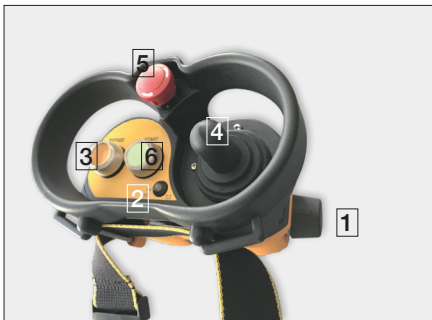


# POWER PACKS

## ASPID GETZ

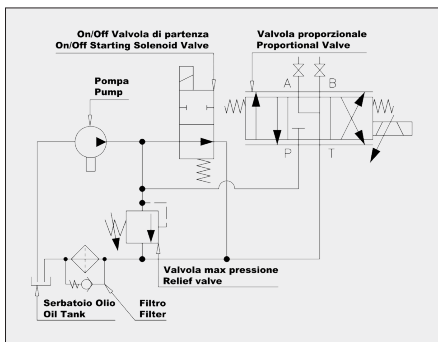
Hydraulic power packs for special applications

HYDRAULIC CONTROL UNIT FOR MANEUVERING AND CONTROL OF ROTATING EQUIPMENT OR DOUBLE EFFECT CYLINDERS



The **remote control** function and therefore the relative kit can also be installed on larger DOA control units to provide higher hydraulic pressure and flow capacities according to customer specifications.

- 1 General ON/OFF starting knob**  
the same function as the key of a car, in the on position, allows all the functions to be started.
- 2 Led light with green light**  
indicates that the appliance is on and ready to use.
- 3 Emergency safety button**  
like "dead man" type, therefore to be kept pressed during operation, as soon as it is released, everything goes off (only the electronic part is turned off).
- 4 Joystick for control of movements**  
it controls the 3 functions of clockwise /stop/anticlockwise rotation, it is of a proportional type, thus allowing the regulation of the rotation speed.
- 5 Emergency stop button**  
if pressed, immediately cancels all the electronic parts functions, then press button 6 to reactivate.



 **DOA**  
Hydraulic Tools

22066 Mariano Comense (CO) - ITALY - Via Sant'Agostino 158  
Tel. (+39) 031 792 040 - [www.doa.it](http://www.doa.it) - [info@doa.it](mailto:info@doa.it)